

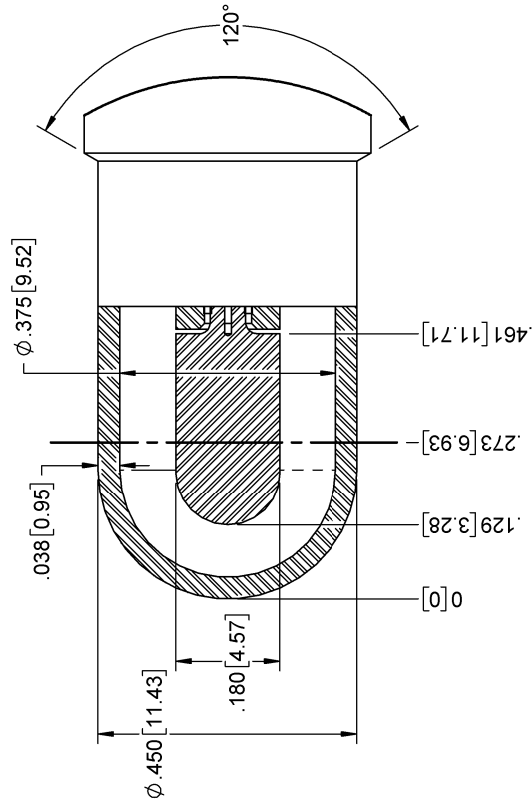
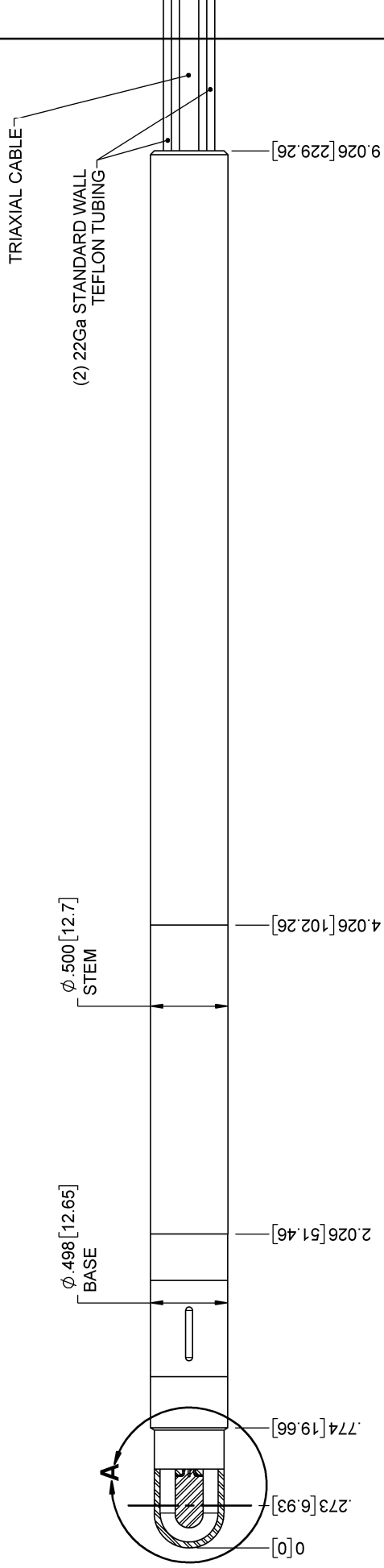
**TECHNICAL  
 NOTE**

DIM AND TOL PER ASME Y14.5-2009  
 DO NOT SCALE DRAWING

NUMBER	REF	REVISION
1	1	00
SHEET NO.	DATE CREATED	
1 OF 1	12/21/2021	
DRAWN BY		
BDH		

**M2 GAS FLOW - REF 92742  
 T2 GAS FLOW - REF 92743**

**SUBJECT: EXTRADIN MODEL 2 GAS FLOW DIMENSIONS - NON-PROPRIETARY**



**DETAIL A  
 SCALE 3 : 1**