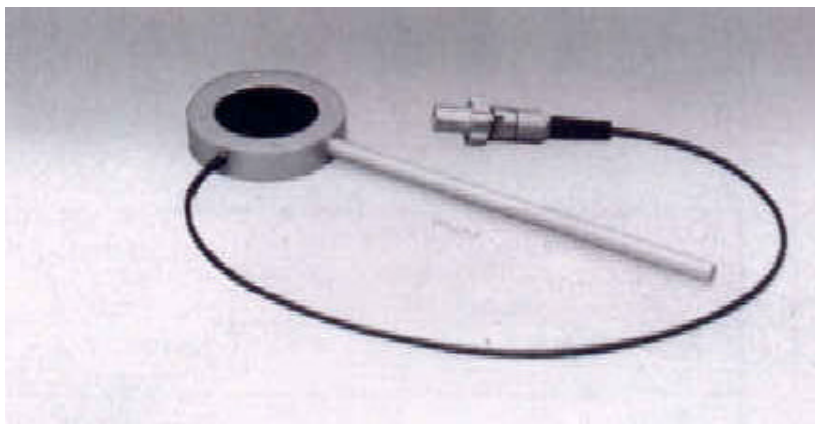




## Precision Ionization Chamber for Diagnostic 30-362FW



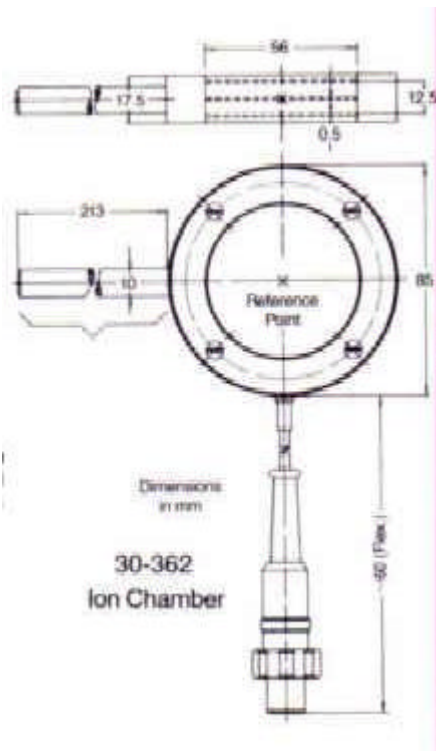
Application: Diagnostic Measurements

### Specifications

Energy Response	48 thru 78 keV
Volume	30cm <sup>3</sup>
Sensitivity	1x10 <sup>-8</sup> A/R/sec
Leakage Current	1x10 <sup>-14</sup> A
Weight per Area	60mg/cm <sup>2</sup>
Max. Dose at 99%	+300 V 30 R/sec +500 V 85 R/sec
Max. Dose	+300 V 15 mR
Pulsed at 99%	+500 V 25 mR
Vented	yes
Cable Lengs	60 cm
Connectors	Triax BNC

### Energy Response Data Calibration Points

KV	Added Filter mm Al Cu	HVL Mm Cu	KeV	Typical Correction Factor
70	22.5	0.27	48	0.96
100	22.5	0.5	62	1
150	22.5	0.97	78	1.06



---

© Elimpex-Medizintechnik, Spechtgasse 32, A-2340 Moedling, Austria  
phone +43-2236-410450  
fax +43-2236-410459

---

