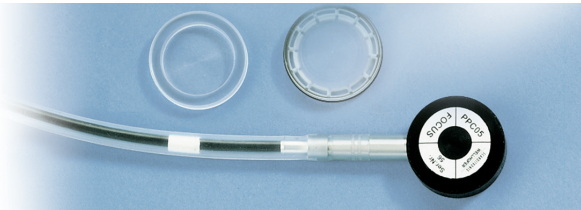


Technical description

Parallel Plate Chamber PPC05



Application

- absolute dosimetry of electron, photon and proton beams in radiotherapy
- the conventional ionisation chamber type for electron dosimetry
- measurements in air, in solid or in water phantoms

Features

- air ionisation chamber
- high spatial resolution
- suitable for all phantom cut-outs and holders originally designed for the Markus chamber®
- waterproof
- vented through waterproof sleeve
- fully guarded
- supplied with individual factory calibration certificate and user's guide

Markus chamber® is a registered trademark of PTW-Freiburg

Material

- outer electrode
Shonka C552 (1.76 g/cm³)
- inner electrode
PEEK graphitised (1.32 g/cm³)

Active Dimensions

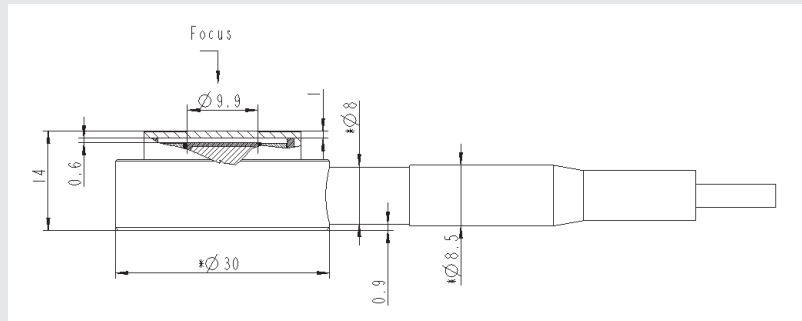
- volume (nominal) 0.05 cm³
- cylinder height 0.6 mm
- front window thickness 1.0 mm
- diameter of inner electrode 9.9 mm

Cable & Connector

- connector type TNC triaxial
- cable length 1.40 m

Operational Data

- leakage current $\leq \pm 5 \times 10^{-16}$ A
- sensitivity 2×10^{-9} C/Gy
- radiation quality (e) > 2 MeV
- polarising voltage + 300 V
- reference point in water 1.0 mm below the outer surface



* add 0.2 mm for tolerance if you intend to make adapters dimensions in mm

Technical data subject to change without prior notice.

Sweden: Scanditronix Medical AB - Stålgatan 14 - SE-754 50 Uppsala
Tel.: +46 18 18 07 00 □ Fax: +46 18 12 75 52 □ info@scxmedical.se

Germany: Wellhöfer Dosimetrie GmbH - Bahnhofstr. 5 - DE-90592 Schwarzenbruck
Tel.: +49 9128 607 0 □ Fax: +49 9128 607 10 □ info@wellhofer.com

USA: Scanditronix Wellhofer North America - 3150 Stage Post Drive, Suite 110 - Bartlett, TN 38133
Tel.: +1 901 386 2242 □ Fax: +1 901 382 9453 □ swna@iba-group.com

Homepage: www.iba-ar.com

