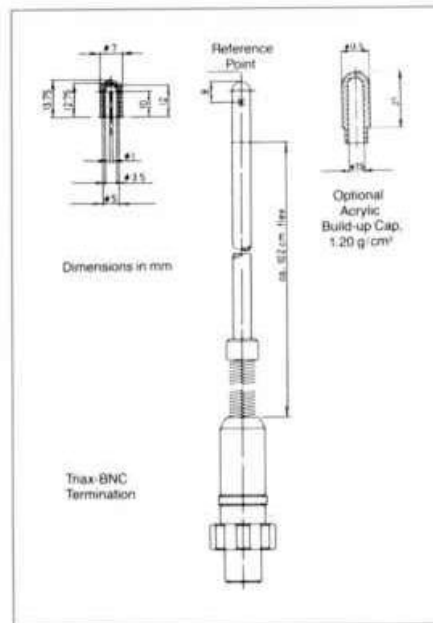




Precision Ionization Chamber 0.1cm³ Ion Chamber (Beam Plotting)

PRECISION IONIZATION CHAMBERS 0.1cm³ ION CHAMBER (Beam Plotting)



■ Waterproof. Includes 150 cm cable

Specifications

Energy Range: 30 keV thru ⁶⁰Co with build-up medium.

Volume: 0.1cm³. **Leakage:** ±4 x 10⁻¹⁵A.

Sensitivity: 3.4 x 10³ AR⁻¹s

Polarizing Voltage: Max. 500V.

Cable Leakage: 10⁻¹⁴ AR⁻¹s cm⁻¹.

Wall Material: Acrylic, thickness 1.75 mm.

Weight Per Unit Area: 210 mg/cm².

Maximum Dose at 99%: +300 V: 7000 R/sec. +500 V: 2000 R/sec.

Maximum Dose Pulsed at 99%: +300 V: 300 mR. +500 V: 150 mR.

Range of Temperature: +10 to +40°C.

Rel. Air Humidity: ≤75%.

Cable Length: 150 cm.

30-350-2000FW Ion Chamber, Triax-BNC termination.....

30-350-1000FW Ion Chamber, BNC plus Banana HV termination....

30-382FW Build-Up Cap for ⁶⁰Co

30-357FW Extension Cable 30-ft. triax, male/female

30-339-2000FW Extension Cable, 20-meter, BNC/Banana, male/female

© Elimpex-Medizintechnik, Spechtgasse 32, A-2340 Moedling, Austria
phone +43-2236-410450
fax +43-2236-410459

